

COSIGN

ARCHITECTURAL SIGNAGE

SOLED LED EDGE LIT SIGNS



COSIGN is a world leading designer and manufacturer of sign systems since 1993. We offer flexible sign solutions in more than 75 countries worldwide. By maintaining the highest standards in product quality and customer service we pursue optimal customer satisfaction. Our customers become true partners in a common process of development and sustainable growth.

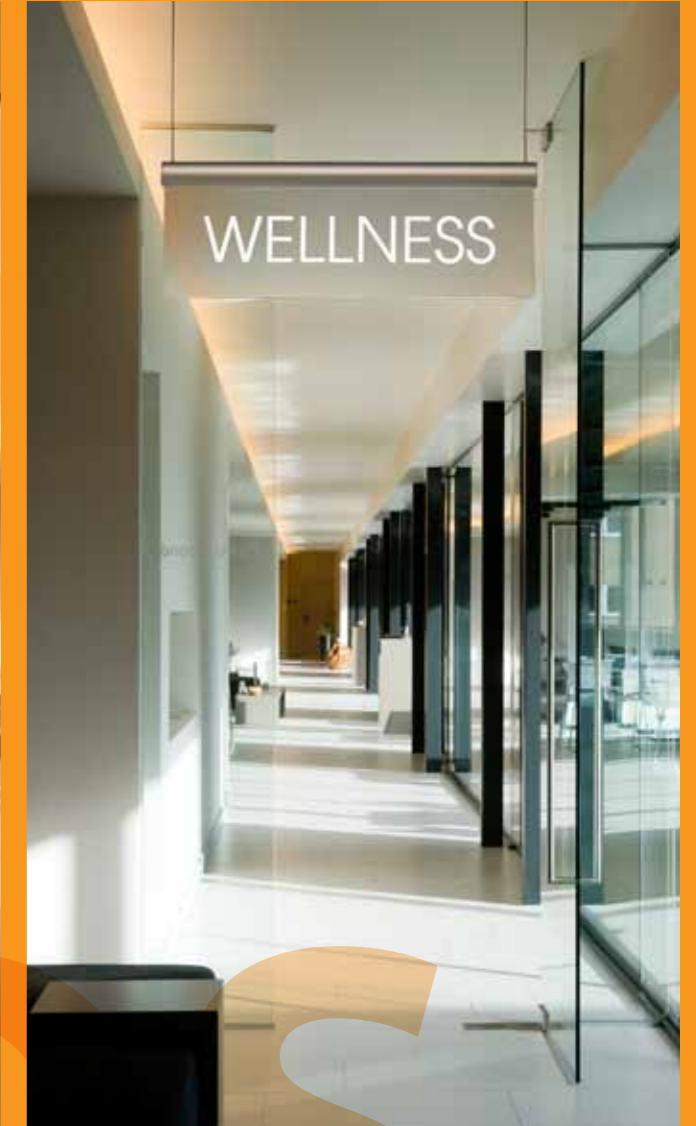
COSIGN
MODULAR SIGN SYSTEMS

COSIGN nv
Industriepark 32 B
B-3290 Diest
Belgium
T. +32 (0)13 35 10 30
F. +32 (0)13 35 10 31
info@cosign.be
www.cosign.be

COSIGN

MODULAR SIGN SYSTEMS & WAY FINDING SOLUTIONS

A FASCINATING INTERPLAY BETWEEN LED LIGHTING AND ARCHITECTURAL DESIGN



LEDs are superior to conventional light sources in many respects and are extremely versatile. **Their low power consumption, durability and maintenance free operation make them particularly economical.** LEDs are therefore ideal as a simple and efficient light source for new signage concepts which were unthinkable not long ago.

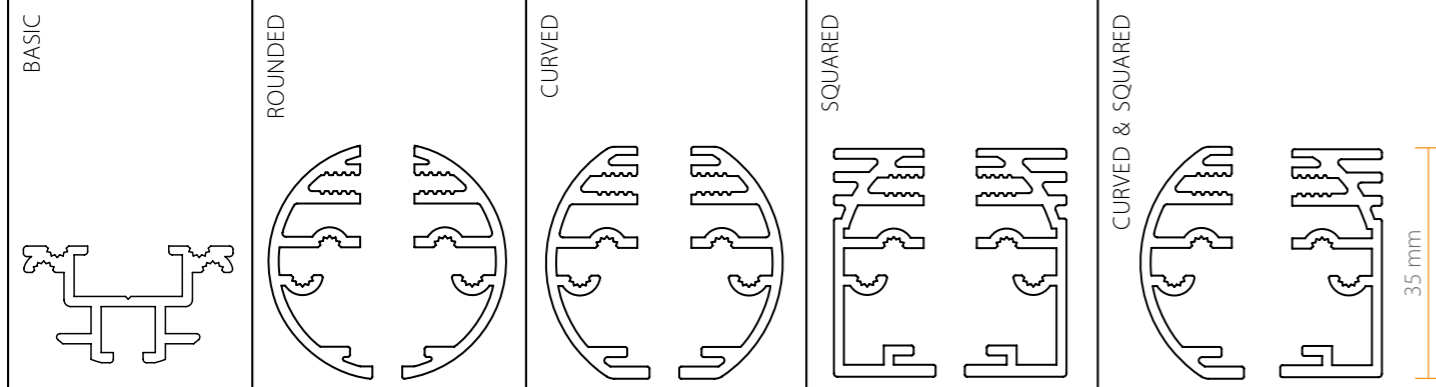
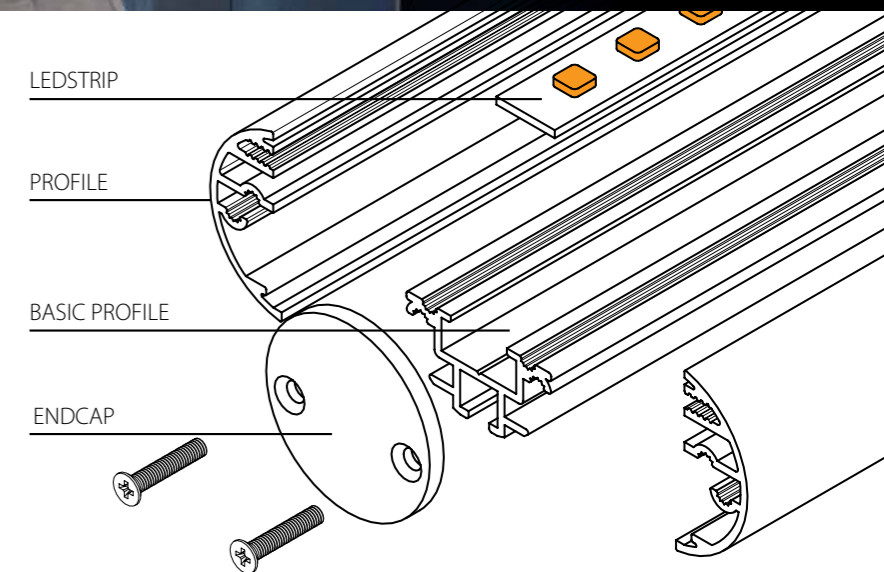
LEDs

ILLUMINATED SIGNS
 ARCHITECTURAL LIGHTING
 ILLUMINATED ADVERTISING
 CORPORATE IDENTITY
 INDOOR ROUTING
 ESCAPE ROUTE MARKING
 PICTOGRAMS



COSIGN continues to expand its range of LED products which are setting a new standard for functionality and design in the signage industry. LEDs provide numerous creative design options due to a multitude of available colors, compact dimensions and flexible modules.

SOLELED consists of a set of rounded, curved and squared aluminium profiles which are easy to combine in one design. Possible setups are **suspended, wall mounted, projected or flag mounted signs, directories and table stands.**





ARCHITECTURAL DESIGN

elegant, compact, slim line

HIGH QUALITY PROFILES

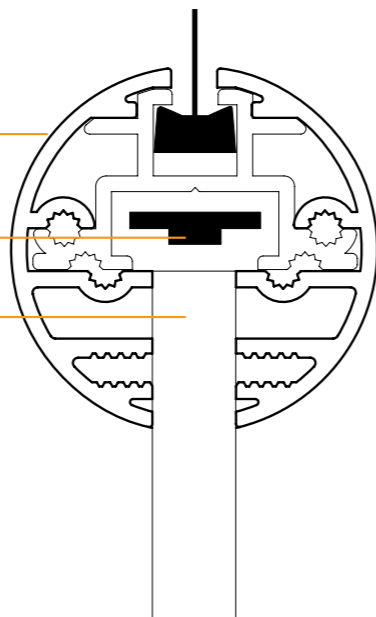
rounded, curved and squared silver anodised or mill finished profiles

EASY TO INSTALL

LED strips attached on a base profile with double sided tape

FLEXIBILITY

suitable for light guided panels (in glass or acrylic) with a thickness between 8 and 12 mm thanks to the intelligent design with changing screw functions (in function of the thickness of the panel)



SOLED

COSIGN
MODULAR SIGN SYSTEMS